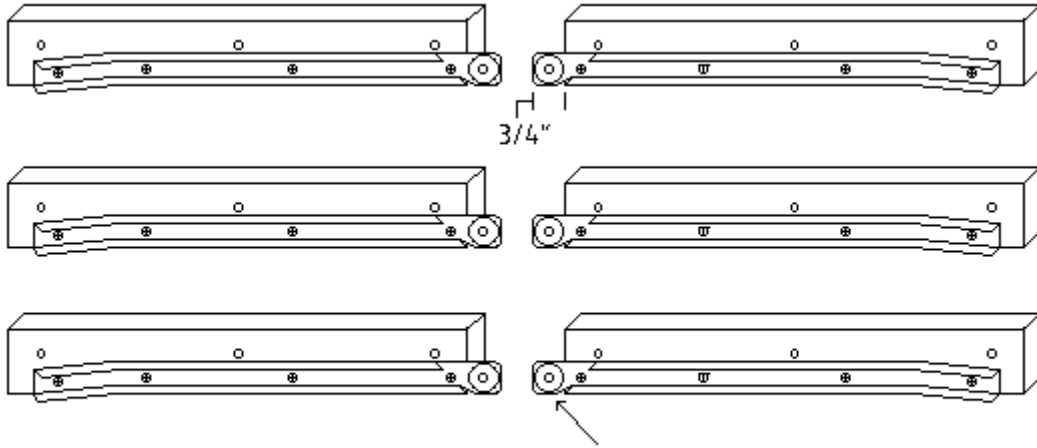


HOME BAR PLANS

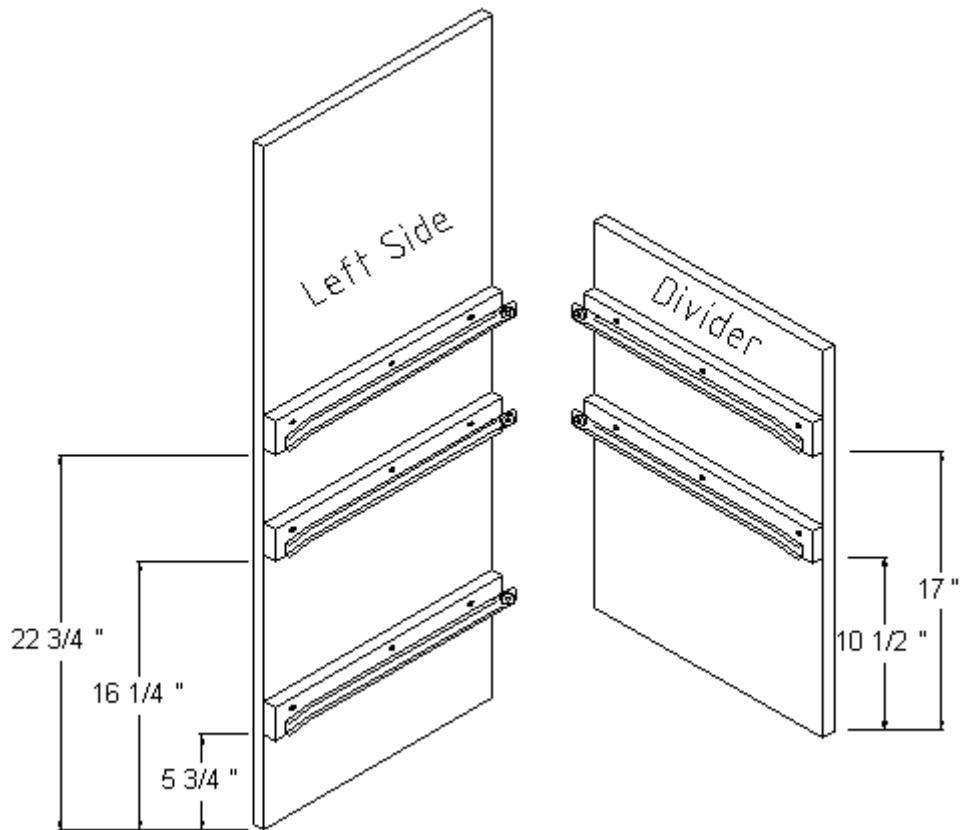
Attach Drawer Slides to Cleats



Lowest part of drawer slide is flush with bottom of wood

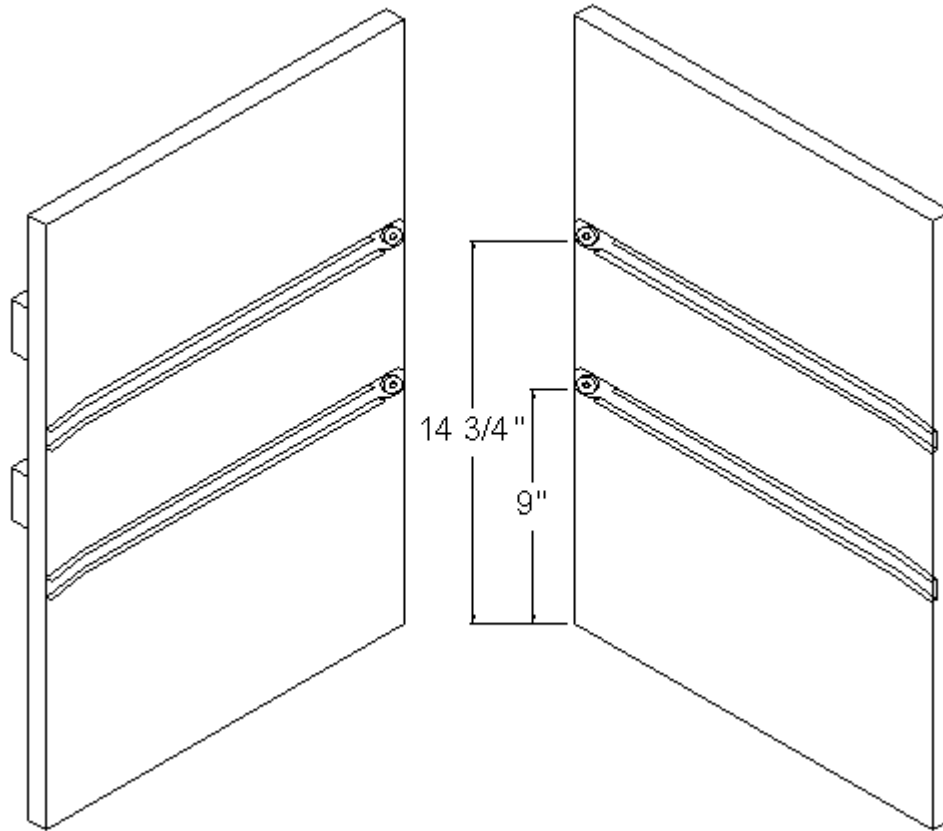
If you will be adding drawers to your bar, attach six drawer slides to cleats as shown above. Remember, three must have the roller on the right and three must have the roller on the left. The lowest part of the drawer slide must be flush with the bottom of the cleat. The roller section must protrude past the end of the cleats by 3/4" (the thickness of the trim).

Attach Drawer Slides Left Side and Divider



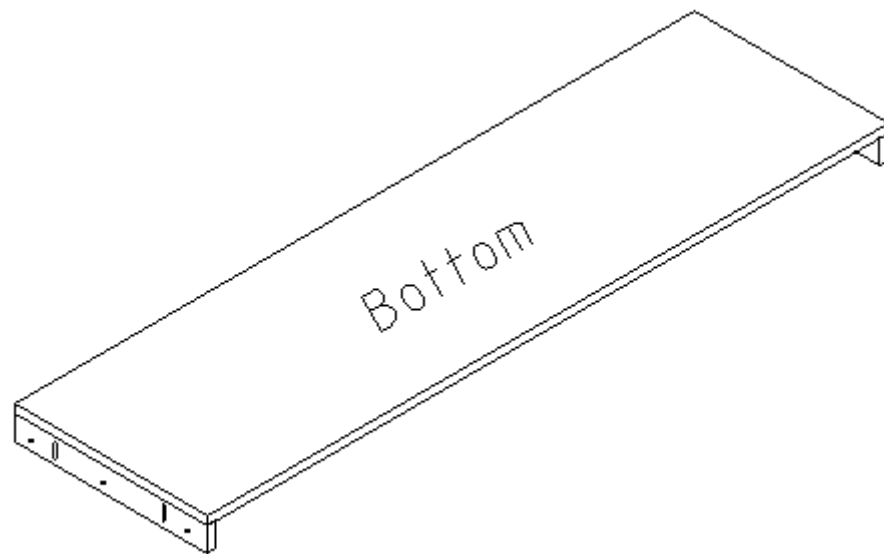
Attach three cleats with drawer slides to the left side as shown above. Attach two cleats with drawer slides to left divider panel as shown above. Note: The bottom cleat and drawer slide for the left divider is attached to the bottom with pocket holes later. It will then provide a way to attach the left divider to the bottom.

Attach Drawer Slides for Wine Racks



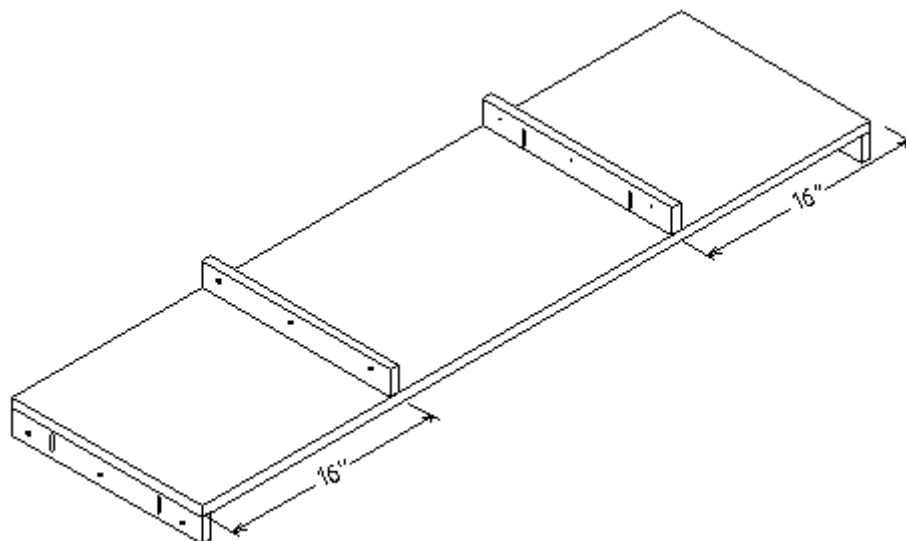
If you will be including wine racks, in your bar, attach the drawer slides to the divider panels as shown. Note: the drawer slides for the wine racks do **NOT** protrude 3/4" past the edge of the divider panels. This is because the wine rack fronts will be flush with the opening while the drawer fronts will be on the outside of the opening.

Attach Cleats to the Ends of the Bottom



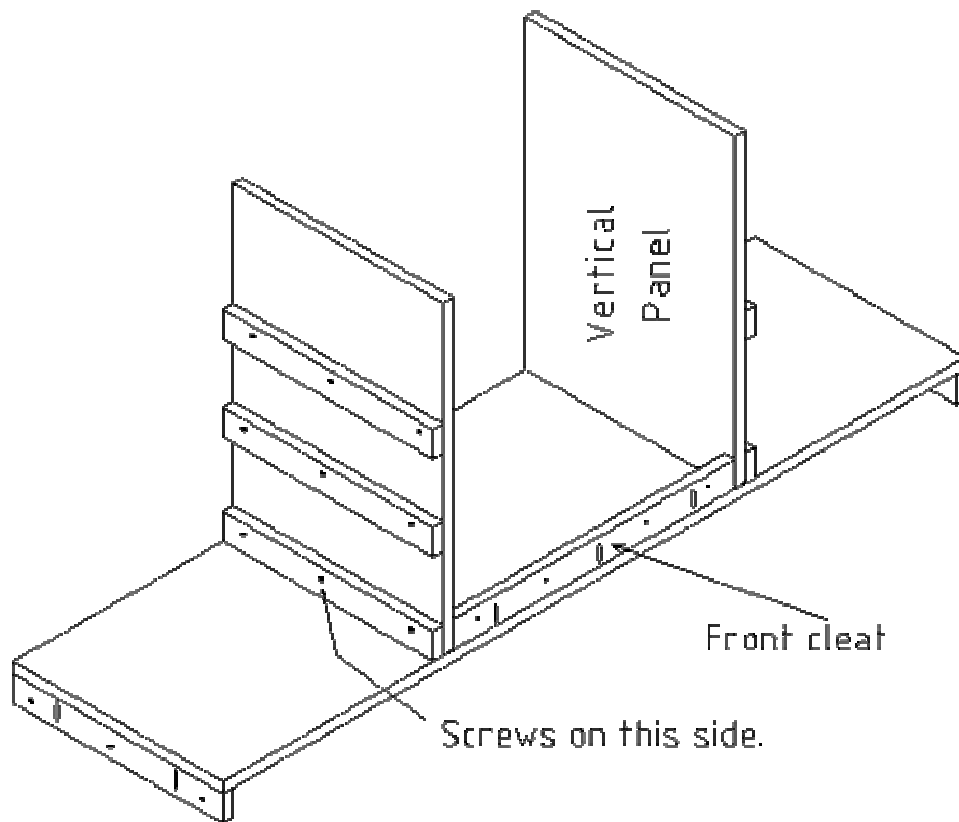
Attach two cleats to the ends of the bottom surface of the bottom plate with pocket hole screws as shown.

Attach Cleats to Middle of Bottom



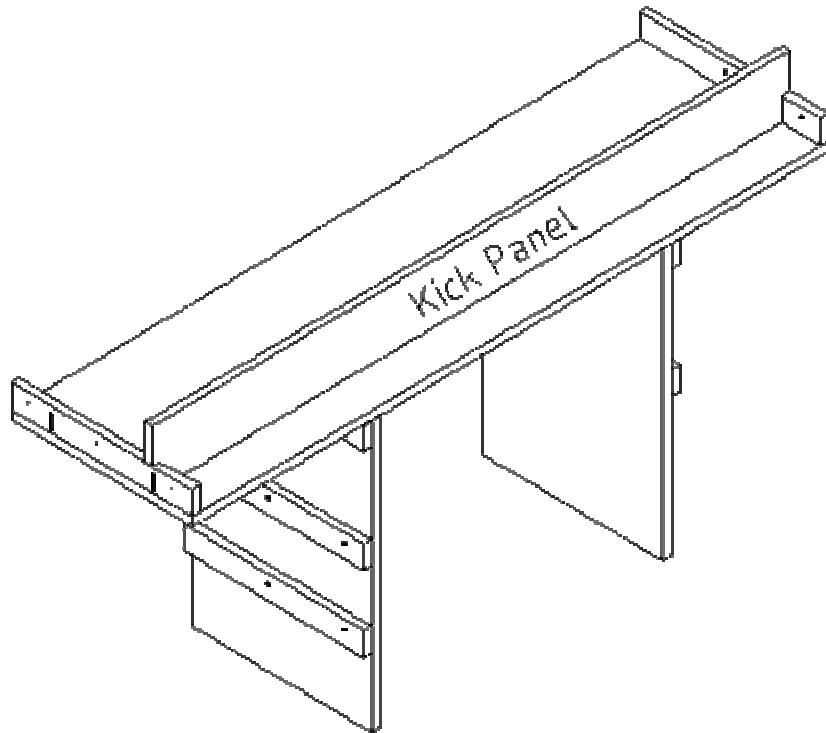
Attach a cleat with a drawer slide mounted to the top surface of the bottom plate as shown. Attach a cleat with no drawer slide as shown. Pocket holes sides should be placed 16" from the ends with pocket hole sides facing each other as shown. (These cleats are used for mounting the vertical panels to the bottom surface.)

Attach Vertical Dividers



Attach the vertical dividers to the cleats as shown. Attach the front cleat between the panels as shown with pocket hole screws. Oops! I forgot to draw the drawer slides on this drawing. They would already be in place at this point. Jujst try to picutre them already mounted.

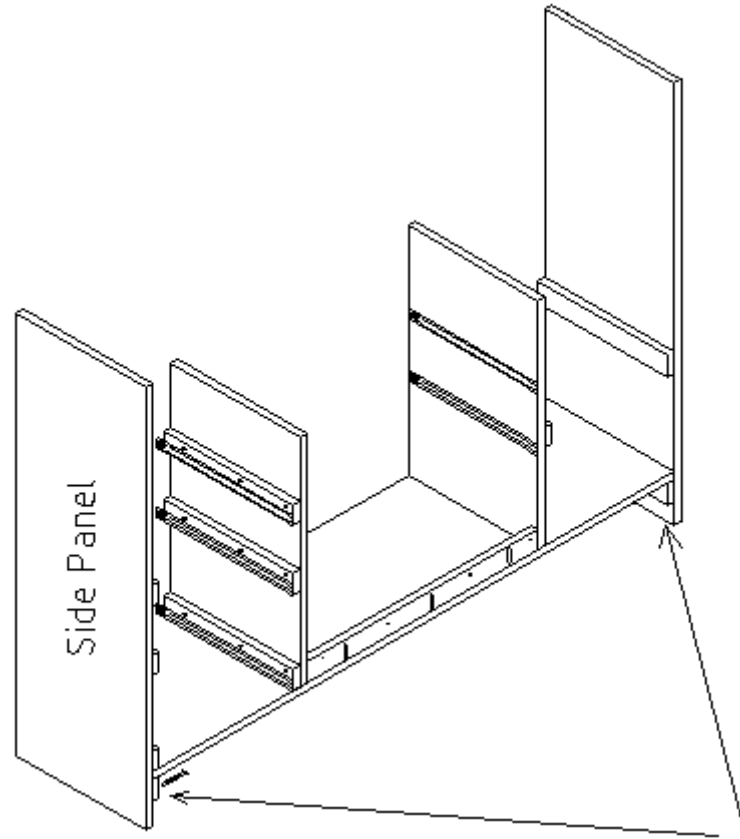
Attach the Kick Panel



Turn the assembly upside down and attach the kick panel as shown with pocket hole screws.

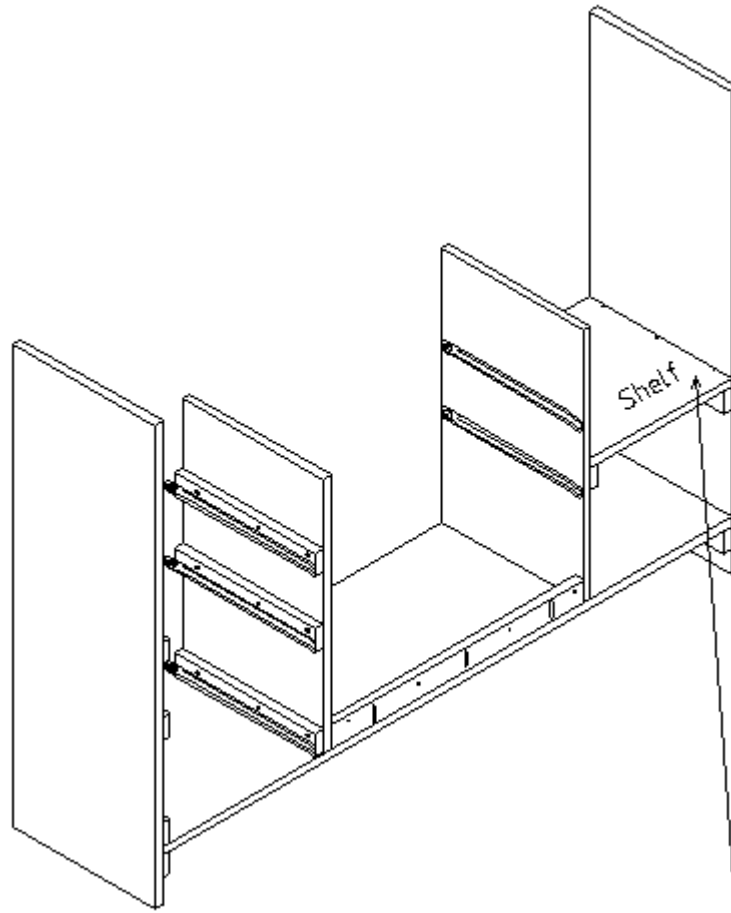
Note: the pocket hole screws are on the back side of the kick panel.

Attach the Side Panels to the Bottom Cleats



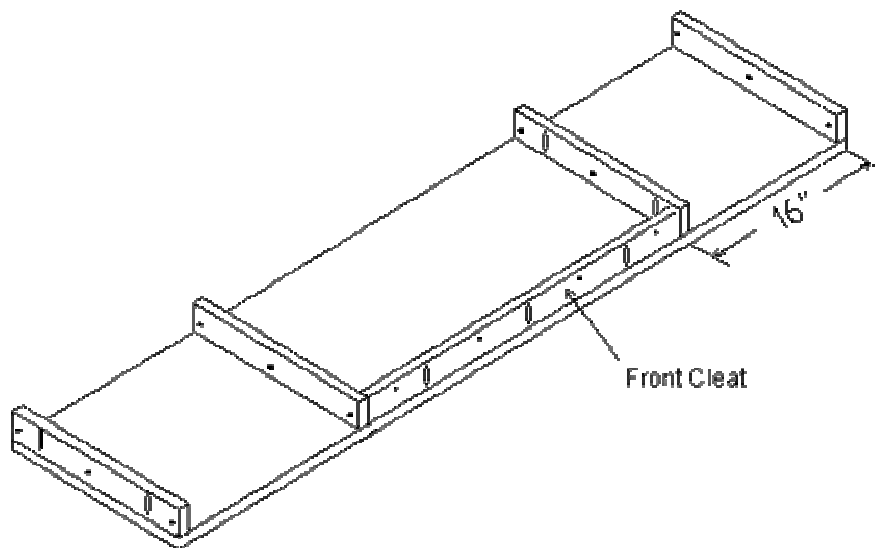
Attach the side panels to the bottom cleats with 1 1/4" screws as shown.

Attach the Small Shelf to the Cleats



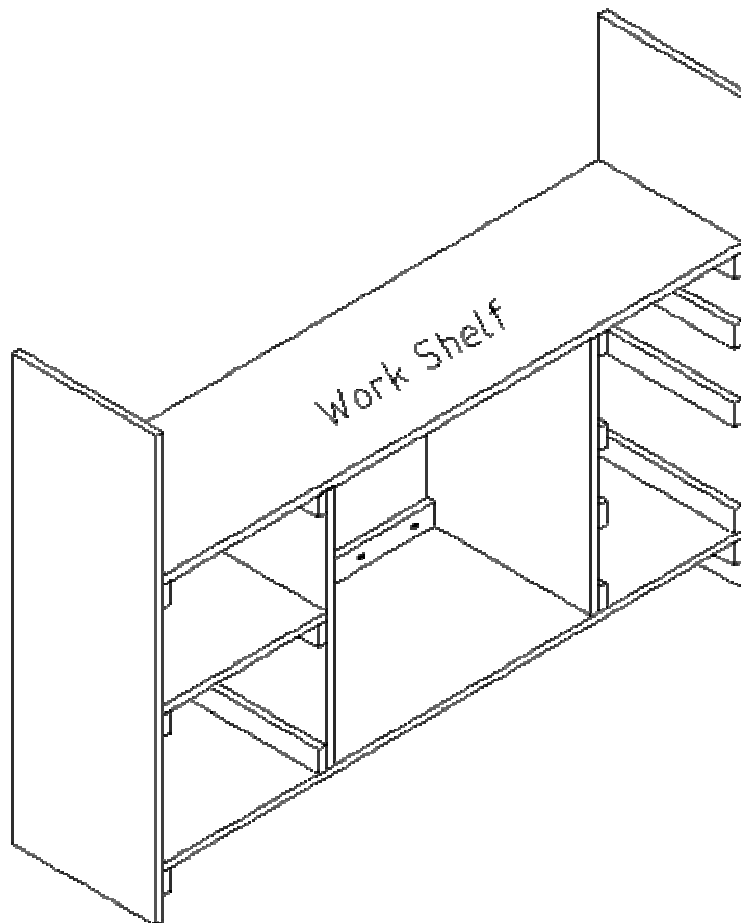
Attach the small shelf to the cleats with finishing nails as shown.

Attach Cleats to the Workshelf



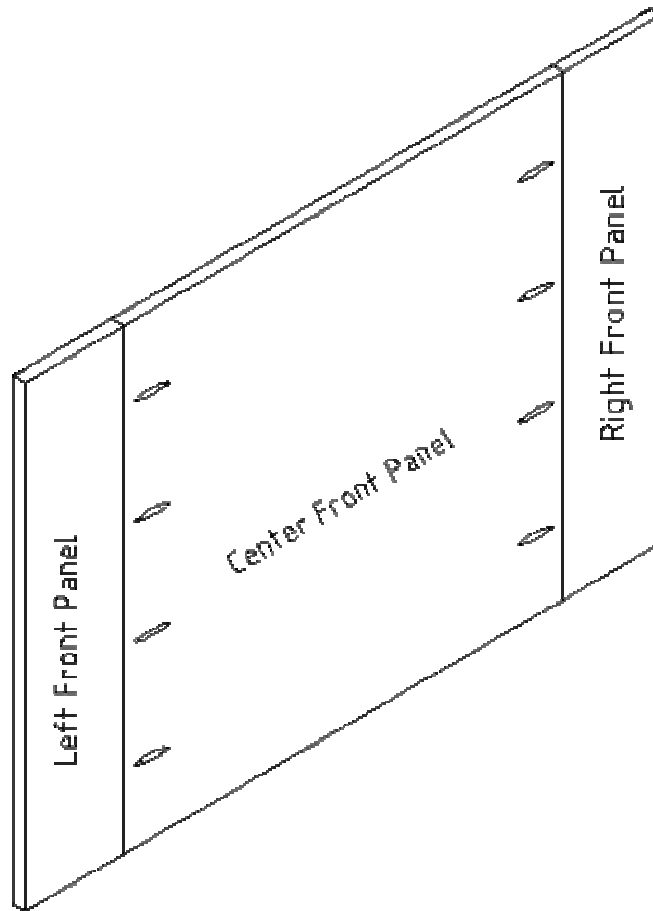
Attach the four cleats to the bottom side of the work shelf with pocket hole screws as shown. The end cleats have pocket holes facing out. The middle cleats have the pocket holes facing each other. The pocket hole side of the middle cleats are placed 16" from the ends of the workshelf.
Attach the front cleat with pocket hole screws as shown.

Attach the Workshelf



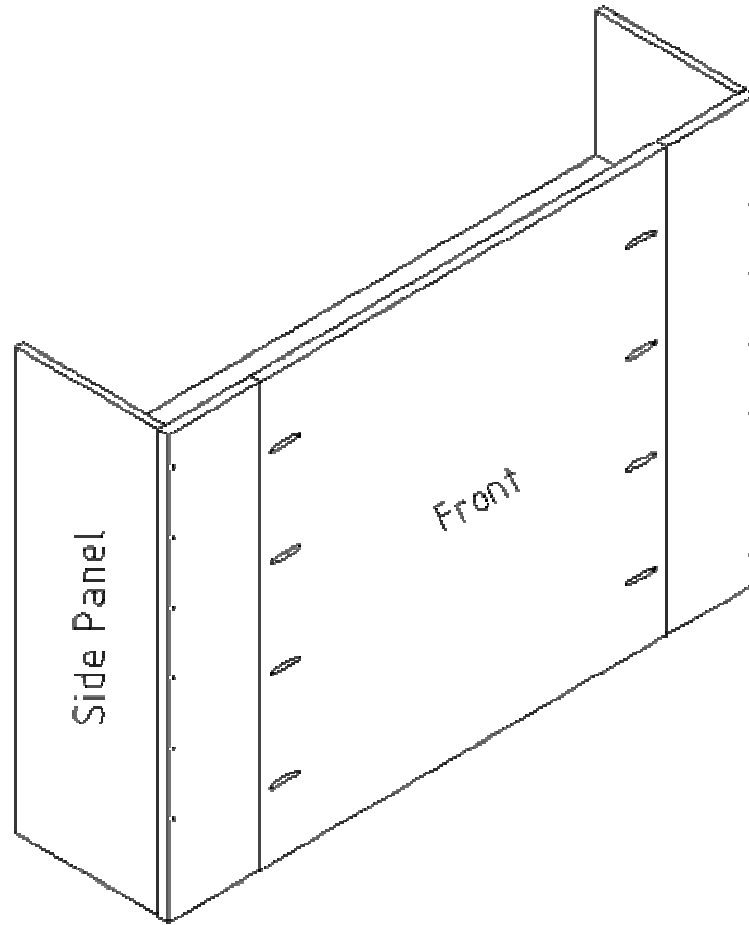
Place the work shelf (with cleats attached to the bottom) on top of the vertical dividers and secure it to the sides and dividers with 1 1/4" screws through the cleats.

Assemble Front Panels



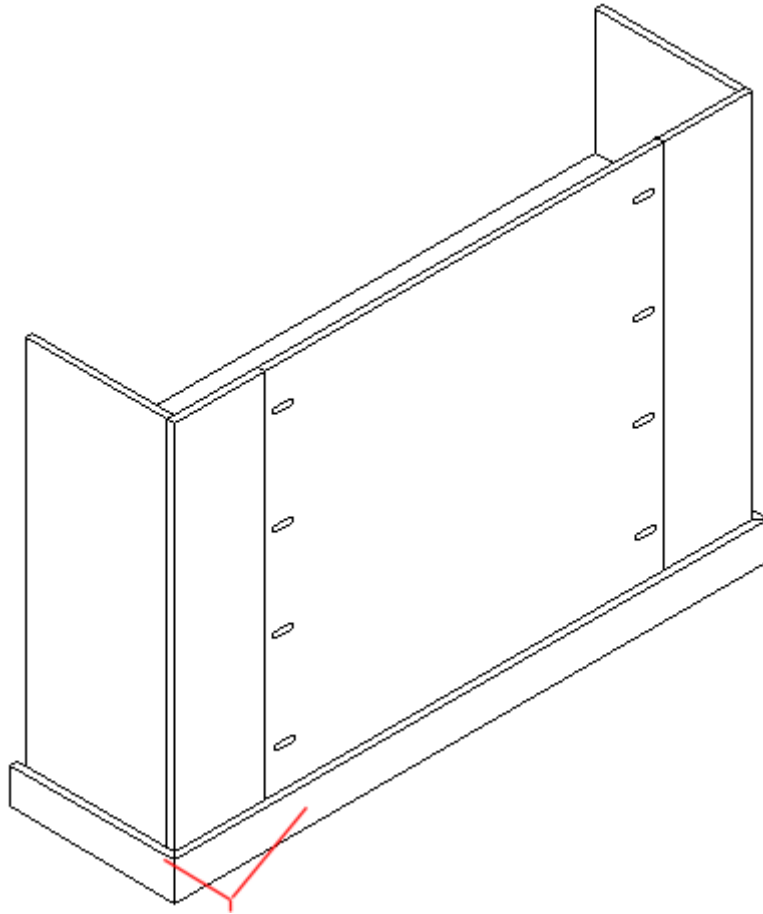
Assemble the three front panels together with pocket hole screws.
Note: The pocket holes go on the front of these panels. The pocket holes will be covered with trim later.

Attach the Front



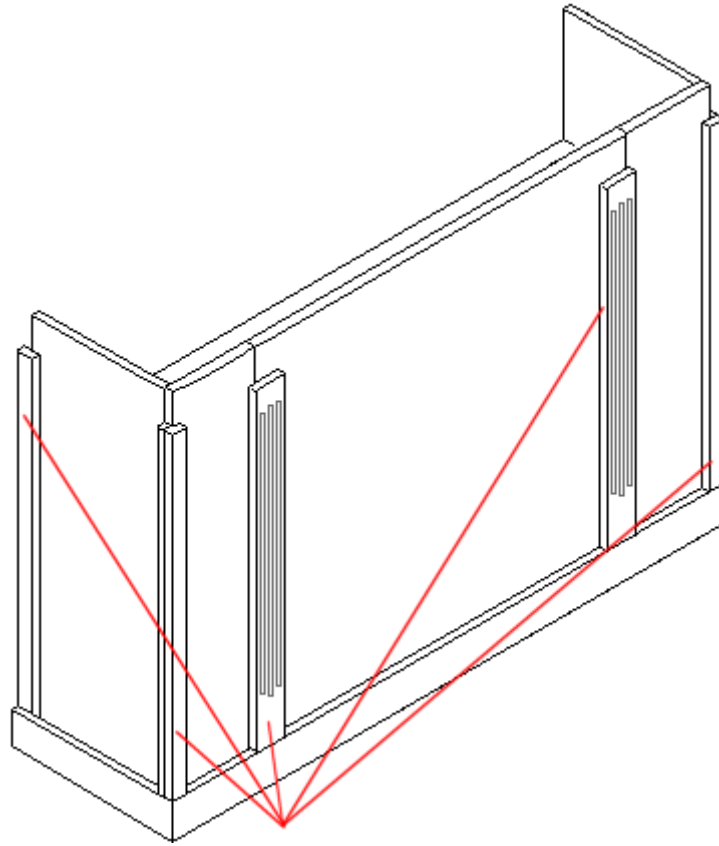
Attach the front to the cabinet assembly. Use finishing nails to attach the front to the sides (these nails will be covered with trim later.) From the back side, use 1 1/8" screws through the two front cleats to attach the front to the bottom and the workshelf.

Install the Lower Trim



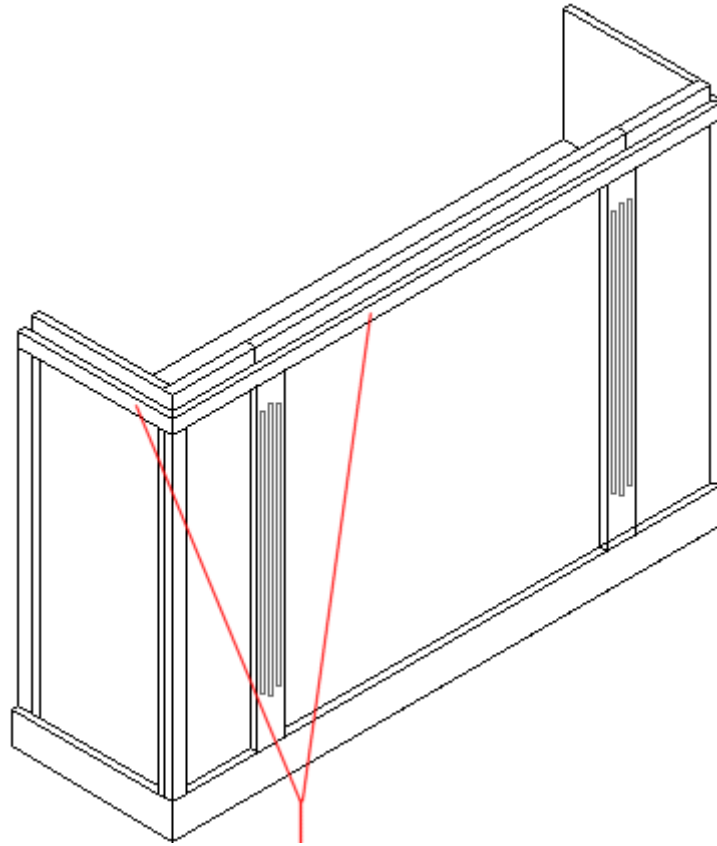
Install the lower side and front trim pieces along the bottom with finishing nails as shown.

Install the Vertical Trim



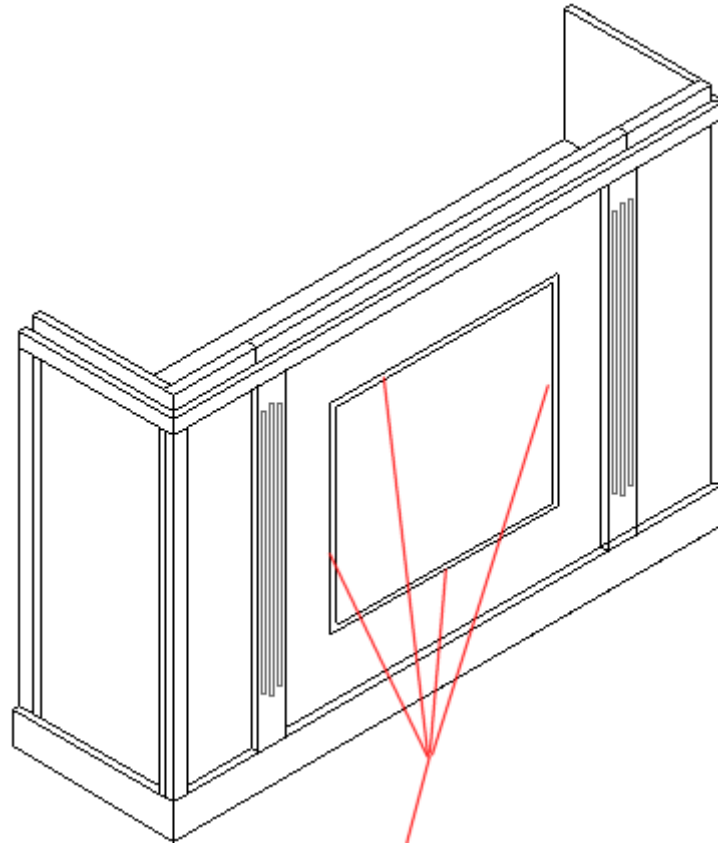
Install the vertical side and front trim pieces with finishing nails as shown.

Install the Upper Horizontal Trim



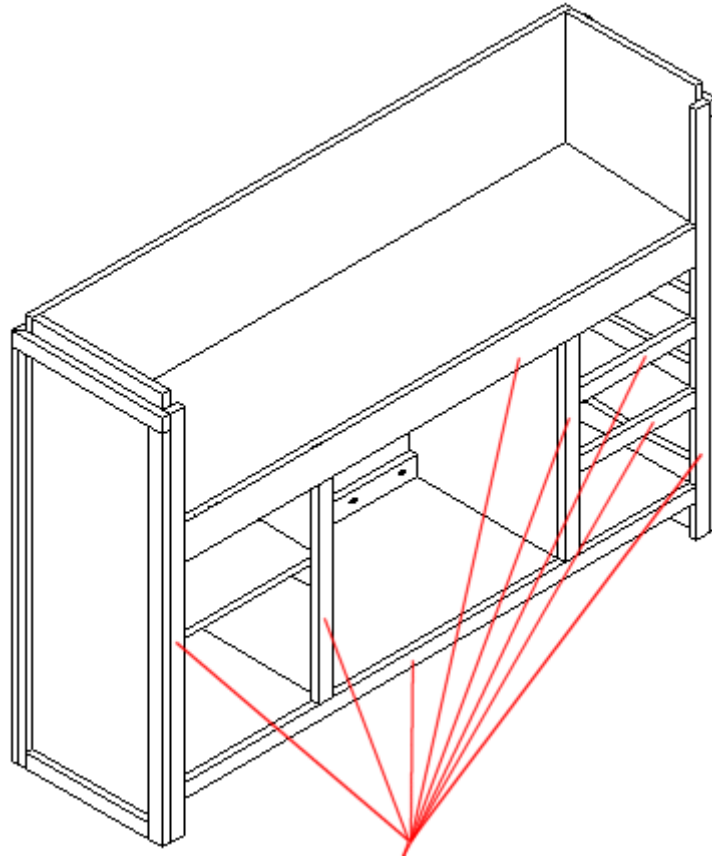
Install the top horizontal trim pieces with finishing nails as shown. This should leave a 1 1/8" space from the top so the Bar Top Assembly can fit over it.

Install the Decorative Frame



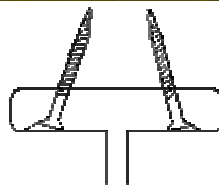
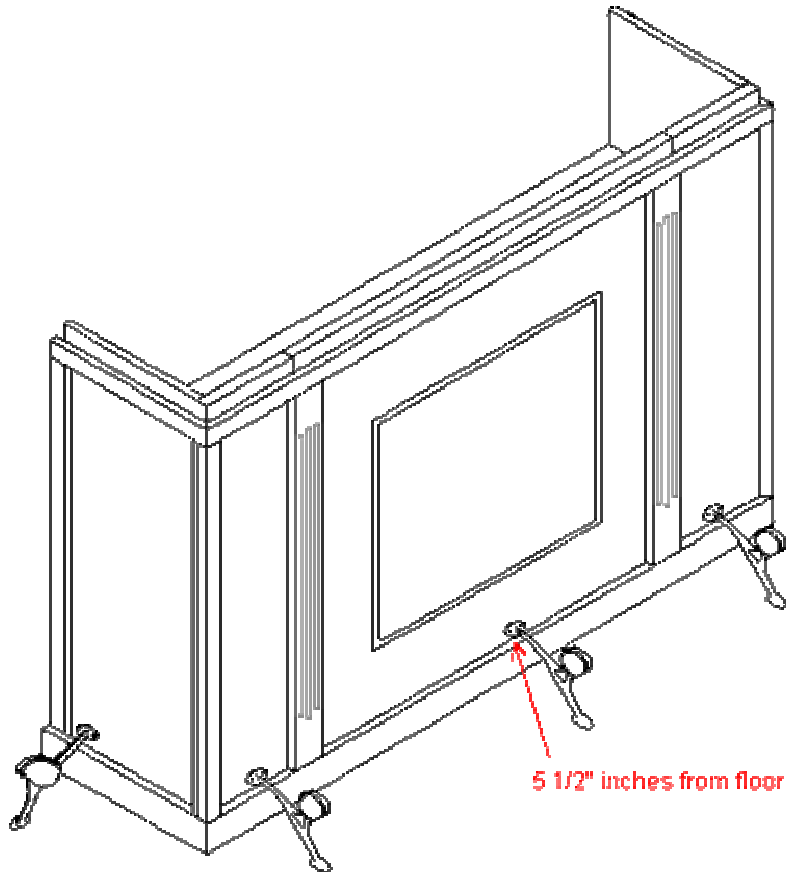
Install the decorative frame molding with finishing nails as shown. Position the molding so the frame is centered side to side and slightly higher than centered top to bottom. The gap between the top of the frame and the top horizontal trim should be about 1" more than the gap between the bottom of the frame and the lower horizontal trim. If you center it top to bottom, it may actually look like it is too low because of an optical illusion.

Install the Rear Trim



Install the rear trim pieces with finishing nails as shown

Install the Brass Foot Rail Brackets



Screws are angled

The rear edge of the side brackets should be one or two inches from the rear vertical trim.

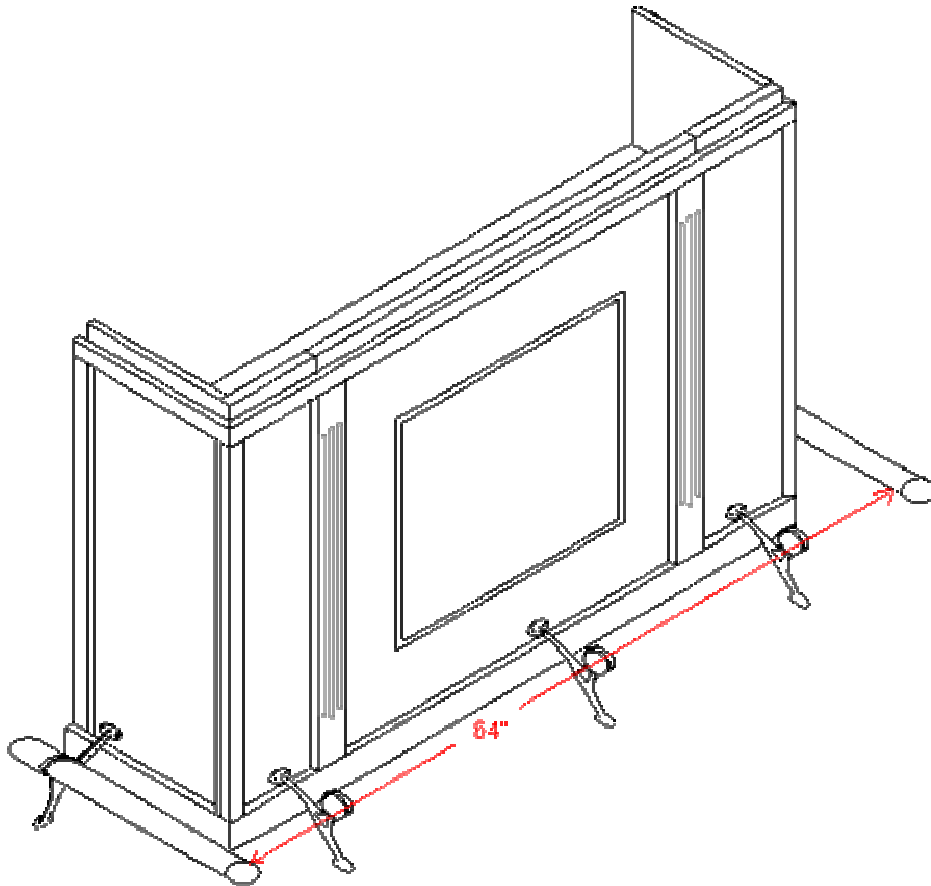
Note the angle of the mounting screws as pictured in the drawing above. You must drill the pilot holes for the bracket mounting screws at an angle or the screws will not fit flush with the surface of the brackets. Try inserting the screws in the bracket holes while holding the bracket in your hands and you'll see what I mean. You can get the correct angle by mounting a bracket on some scrap wood. **Note: I recommend you leave these mounting screws slightly loose so the brackets can all sit freely on the floor. Just snug enough to keep them in place.**

Install the Foot Rail Brackets as shown. Just in case your brass hardware is a little different from what I used, be sure to take your own measurements as follows.

Position one bracket so the foot sets flat on the floor and measure the distance of the mounting holes from the floor. This should be about 5 1/2". But don't take my word for it, measure it and be sure. The rest of the brackets must all be the same height from the floor.

The three front brackets should be centered between the vertical trim pieces as shown above. You only need one bracket on each end of the bar and it should be mounted about one or two inches from the rear vertical trim.

Measure the Front Rail

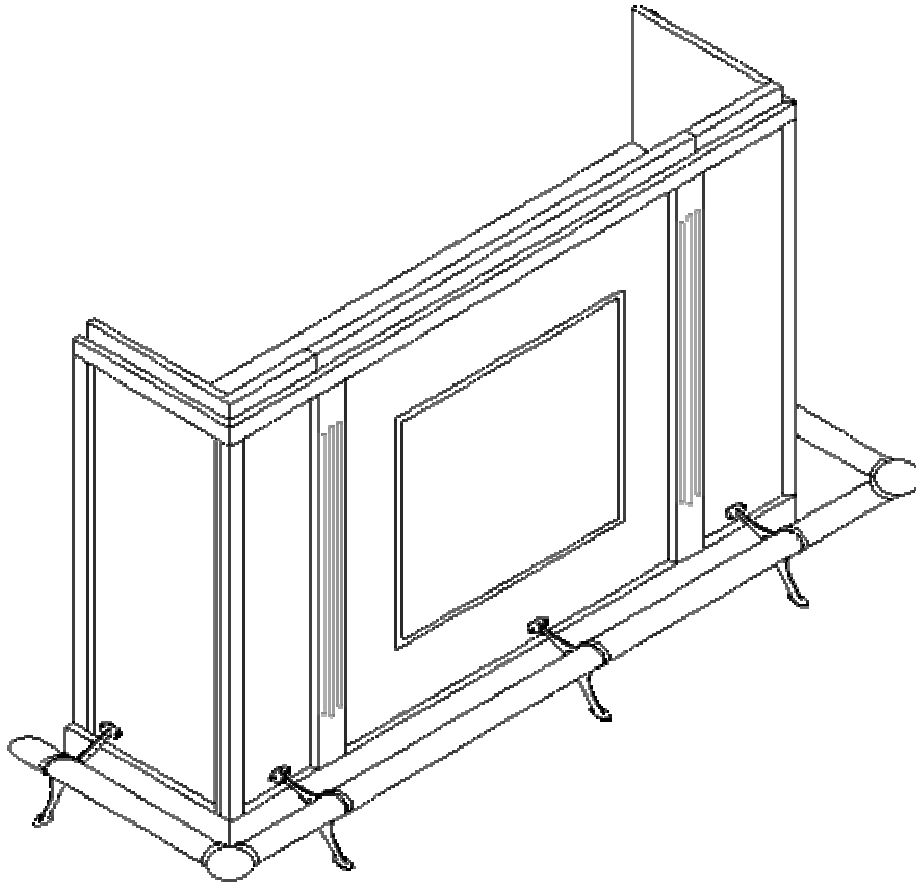


The front rail for the prototype turned out to be about 64" long. But again, don't assume yours will be the same. Brass tubing is expensive so be sure to measure it as shown.

First, insert the end sections of railing as shown above. Have someone help you hold them parallel to the side of the cabinet and measure the distance between as shown. The mounting brackets hold the inner edge of the rail about five inches from the cabinet surface, so your front rail section should be the width of the cabinet plus 10".

Remember, measure twice-cut once!

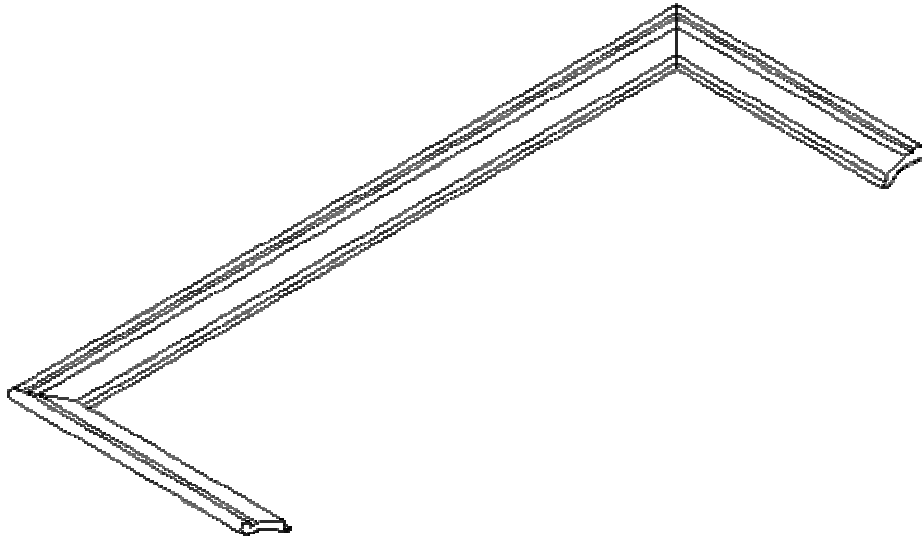
Install the Brass Foot Rail



Assemble the rails as shown above. The end caps go into the rear of the side rail sections. The elbows are used to hold the corners together.

I recommend completely assembling the rail with the screws provided in the kit and tighten all the screws enough so they make visible marks on the brass rail sections. Then, disassemble the rail and drill 3/16" holes in the rail where the screw marks are so the screws will all fit flush with the bracket surfaces, elbow collar surfaces, and at the end caps. Since the end caps are inserted into the ends of the rail sections, their screw heads will be on the outside of the rail section.

Assemble the Armrest Molding



The first step in assembling the top is to assemble the molding as shown above. Note: This drawing shows the molding in an upside down position.

The photos below show a couple of ways to attach the molding corners.



Figure 1



Figure 2



Figure 3

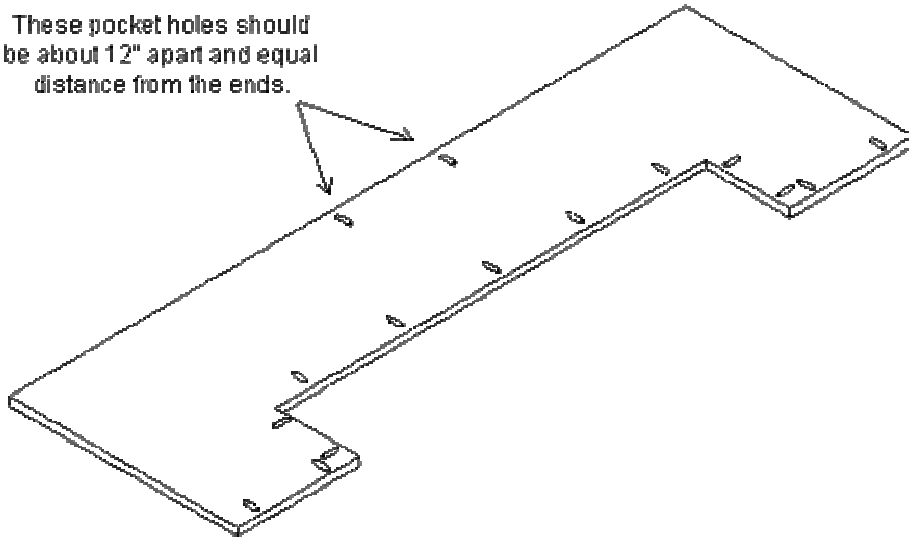
Figure 1 shows drilling pocket holes in one side of the joint with a small pocket hole jig. You can then apply glue to the joint and secure with pocket hole screws. Note: The molding pictured is from some scrap I had and is not the same profile as the molding from Rockler I used to build this bar.

Figure 2 An alternative to pocket holes is to secure the joints with finishing nails. you should temporarily secure the corners using some scrap plywood with pocket hole screws as shown in Figure 2. First drill two pocket holes on each of two sides of the plywood. Apply glue to the molding joint then secure the molding with the scrap plywood to hold the joint firmly together. With the molding held together with the plywood, you can insert a couple of finishing nails as shown in Figure 3.

Figure 3 Turn the assembly over and secure with two finishing nails as shown (**Be sure to pre-drill the nail holes so you don't split the wood**). Countersink the nails so you can fill with putty later. Then you can remove the scrap plywood. The soffit which will be added later will serve to re-enforce the corner joints.

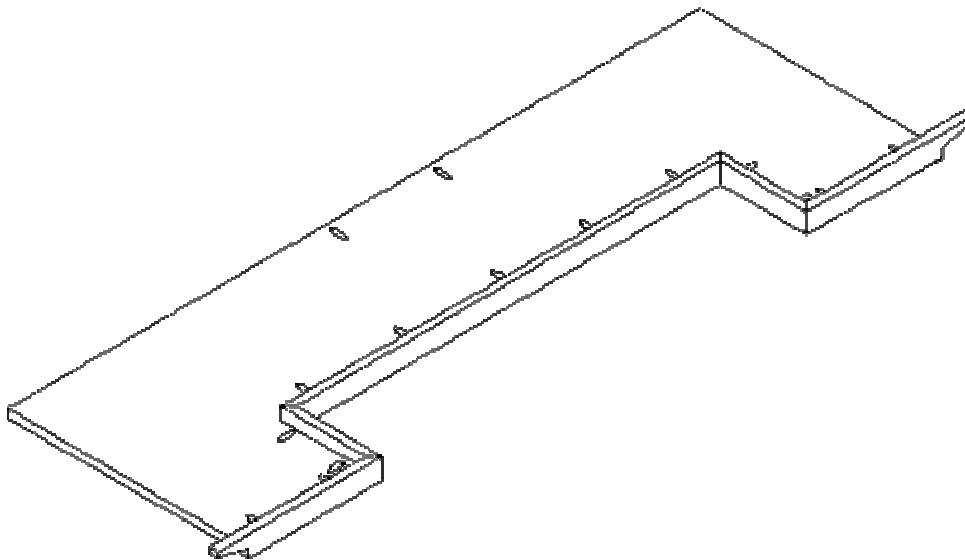
Drill the Pocket Holes in the Top

These pocket holes should be about 12" apart and equal distance from the ends.



Drill pocket holes on the bottom surface of the top as shown. The exact position of the pocket holes is not critical. The two pocket holes along the long edge are used to secure the top to the molding. These two holes will keep the top centered in the molding and still allow for expansion or contraction. The remaining pocket holes are used to attach the trim to the top.

Attach the Rear Trim to the Top

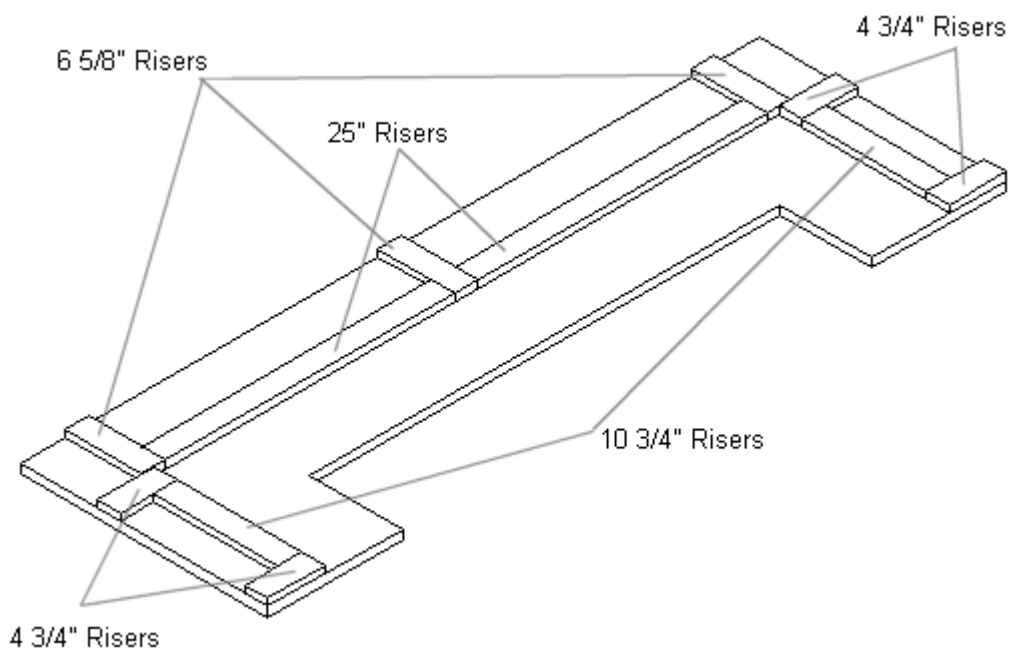


Attach the top trim with glue and pocket hole screws as shown above. To ensure the top surfaces of both the Trim and Top are flush, clamp both pieces to a flat surface before inserting pocket hole screws.



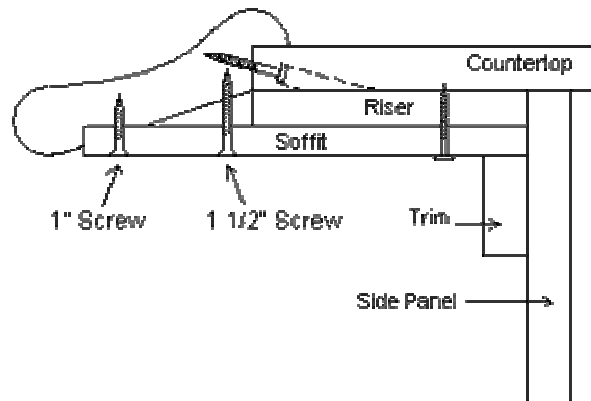
This illustration shows how to clamp a piece of trim to plywood. One clamp holds the trim piece flush to a flat surface and the other clamp holds the plywood flat to the same surface. In this case, the plywood represents the bar top. To keep the pieces flush along the whole piece, you'll want to move the clamps close to each pocket hole as you insert the screws. This will ensure the trim is flush with the top surface.

Attach the Risers to the Top



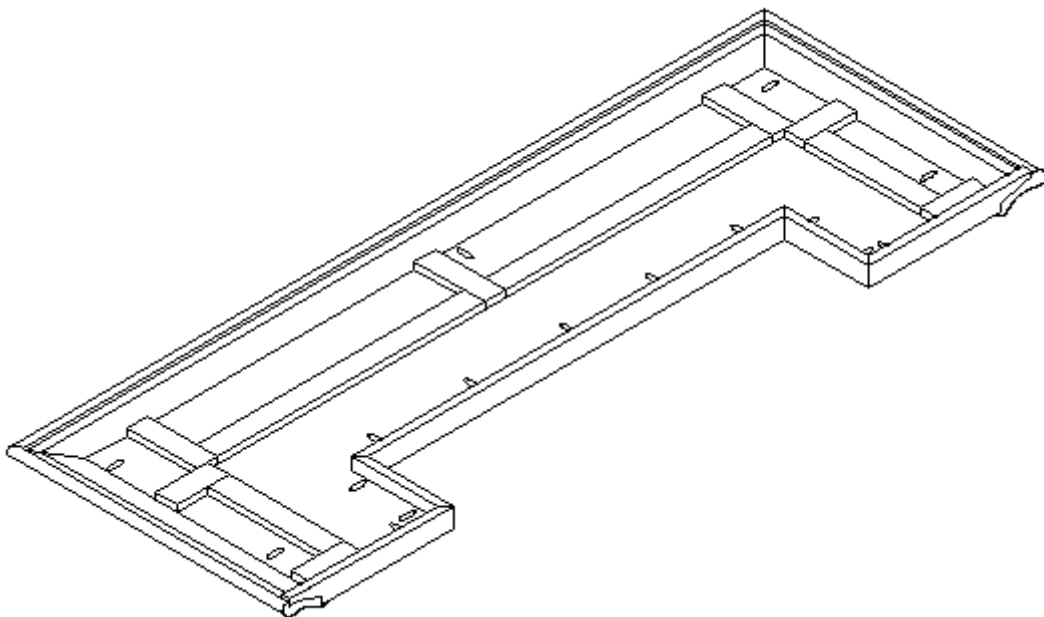
Arrange the risers on the underside of the top as shown. Apply some glue and attach with either 1 1/8" flathead screws or 1" finishing nails.

End View of Armrest Molding Mounted to the Countertop



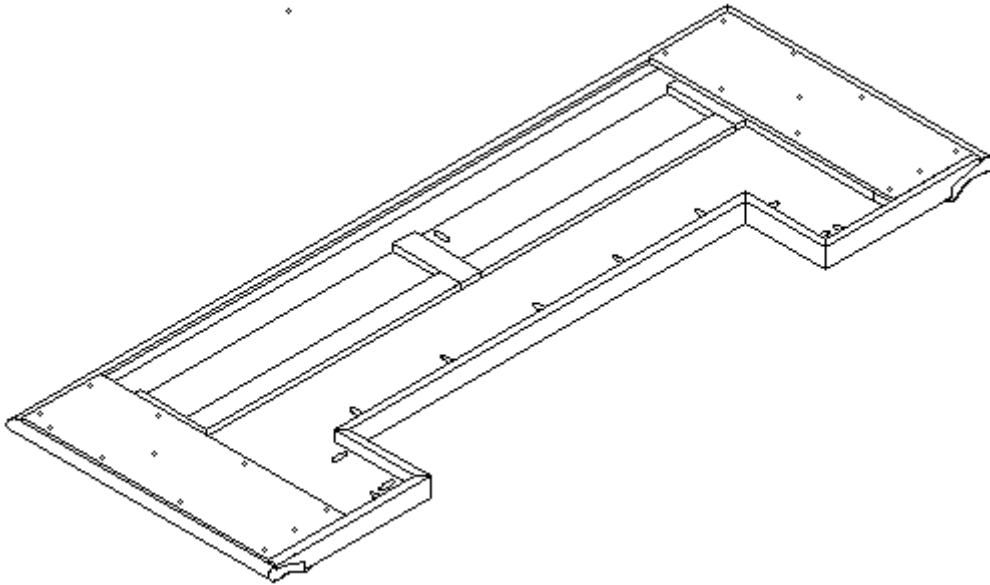
The above illustration shows how the armrest molding, countertop, risers and soffit fit together.

Attach the Countertop to the Molding



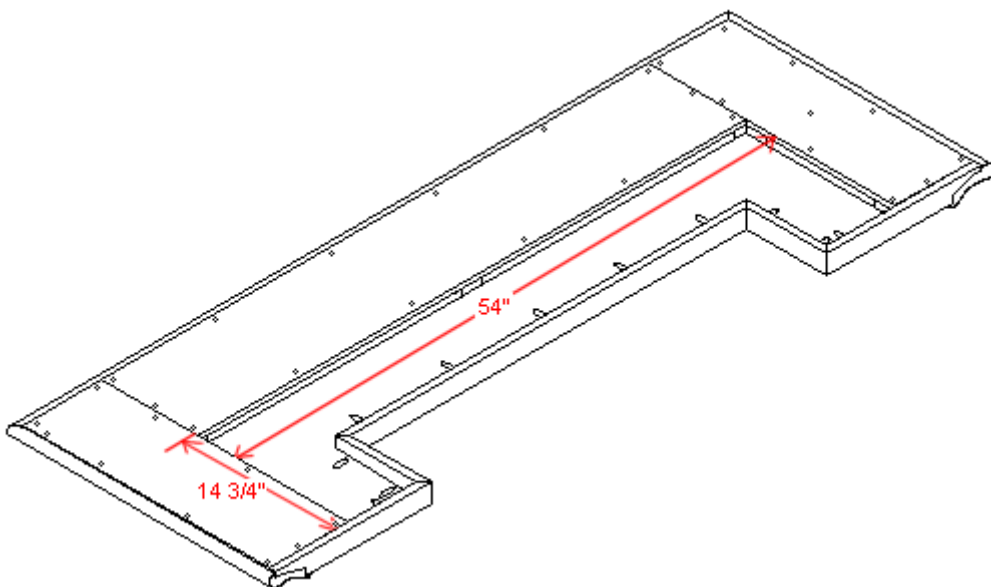
Attach the assembled top to the molding assembly with pocket hole screws as shown. Do not glue the top to the molding. Note: To allow for expansion and contraction, leave a 1/8" gap between the molding and the top on each end. There will also be a gap between the rear trim and armrest molding. You can fill this with black silicon sealant.

Attach the End Soffit Pieces



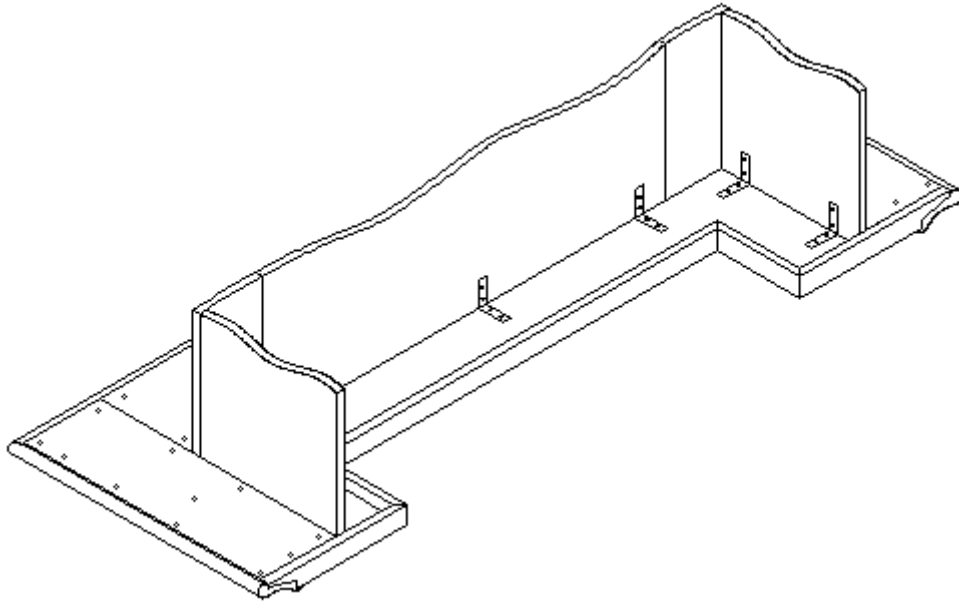
Attach the end soffit pieces to the molding with 1" flat head screws. Attach the end soffit pieces to the risers with 1 1/8" pan head screws. The screws that secure the soffit to the risers should be snug but not tight. This allows for expansion and contraction. The screws that secure the soffit to the molding may be tightened.

Attach the Center Soffit Piece



Attach the center soffit pieces to the outside edge of the molding with 1" flat head screws. Attach the center soffit pieces to the risers with 1 1/8" pan head screws. The screws that secure the soffit to the risers should be snug but not tight. This allows for expansion and contraction. The screws that secure the soffit to the molding may be tightened.

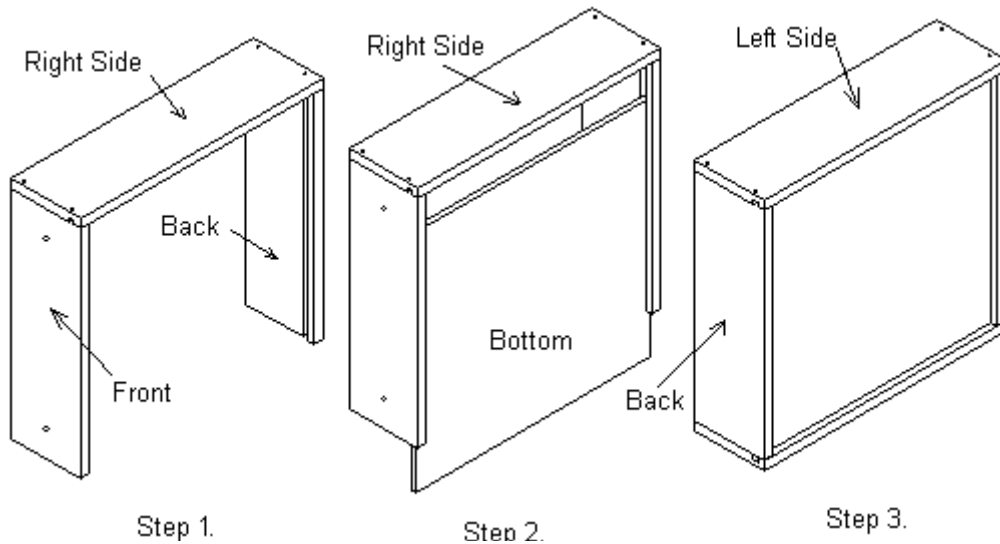
This should leave an opening that is 54" between the end pieces of soffit and 14 3/4" between the center soffit and the rear trim. This is the size of the outside dimensions of the cabinet top and this opening must fit over the cabinet top.



The above drawing shows an upsidedown view of how the cabinet and top are attached. Use two corner brackets on each end and three in the middle. ***You don't want to actually turn the bar upside down to attach the top, it may damage it.*** Spacing of the corner brackets is not critical.

Note: You should predrill the bracket screw holes in the top and use screws that go no more than 1/2" into the wood. Otherwise, the bracket screws may cause unsightly bumps on the top surface of the Bar Top.

Assemble the Drawer Boxes

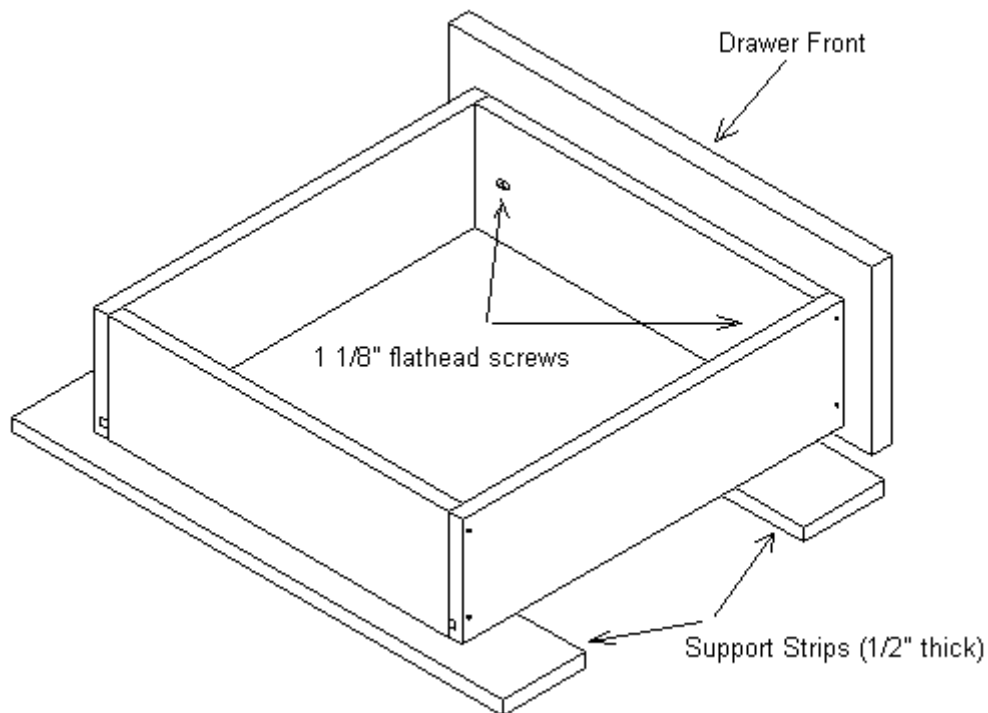


The first step in assembling a drawer box is to position the box front and back as shown in Step 1 above. (The front is the piece with the 3/16" holes.) Apply a little glue to the mating surfaces.

Next, position the right side on top of the front and back pieces as shown. Be sure the corners are flush and square and the slots for the drawer bottom line up with each other. Secure the corners with 1" long finishing nails

Next, slide the drawer bottom into the slots as shown. Turn the assembly over, apply glue, and secure with finishing nails.

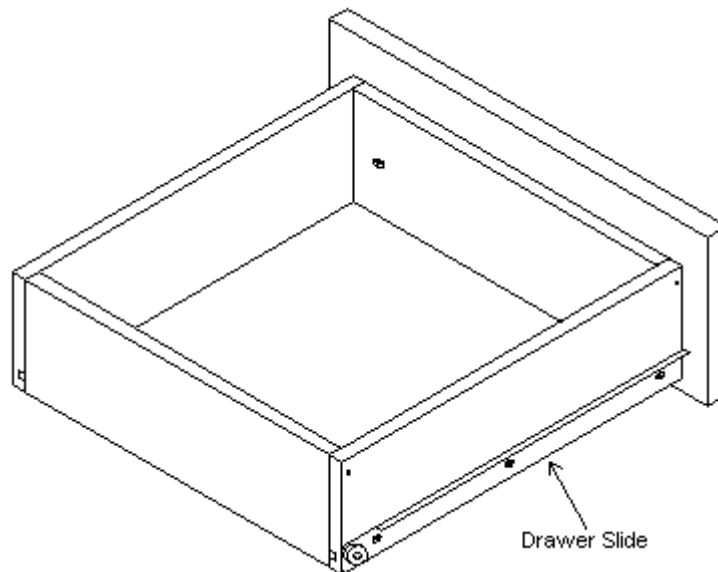
Attach the Drawer Fronts



To attach the fronts to the drawer boxes, support the drawer boxes with 1/2" thick

strips of wood as shown above. This is necessary because the bottom of the front must be 1/2" below the bottom of the box so it will overlap the rear cabinet trim when installed. Position the drawer front against the front of the drawer box with the drawer box centered side to side and the bottom of the front flush with the table surface. Clamp the front to the box and secure with flat head screws as shown.

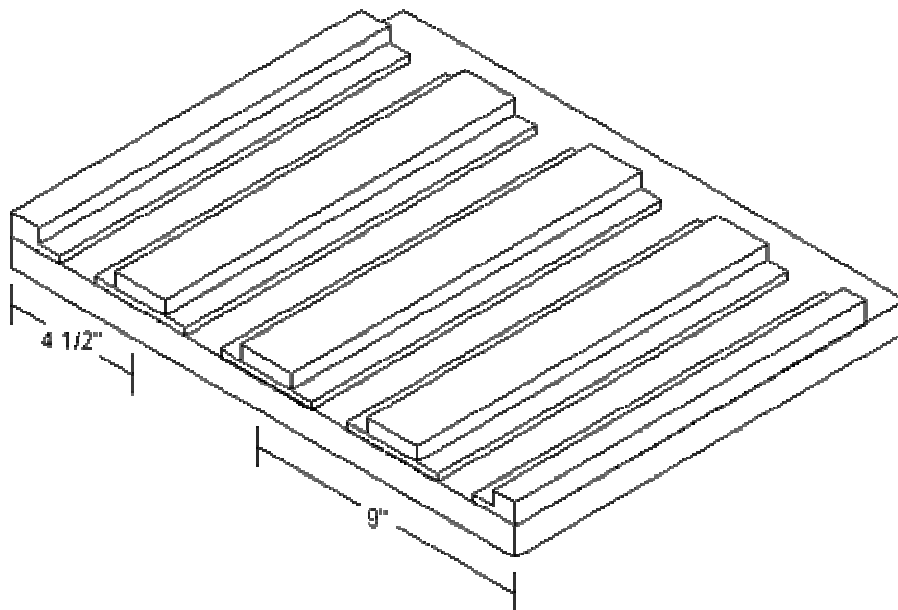
Attach the Drawer Slides



Attach the drawer slides to the drawers as shown above.

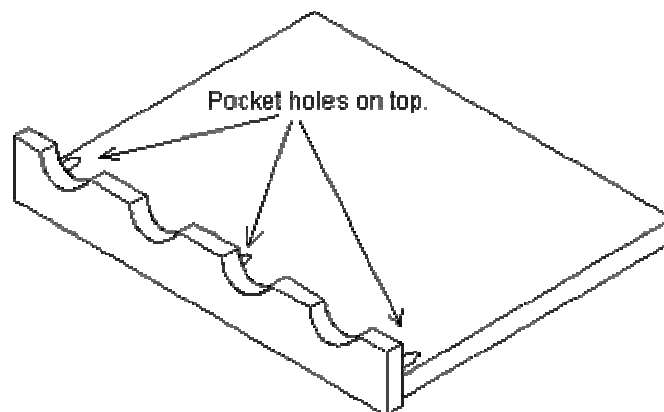
Now you're ready to assemble the wine racks.

Location of Bottle Dividers



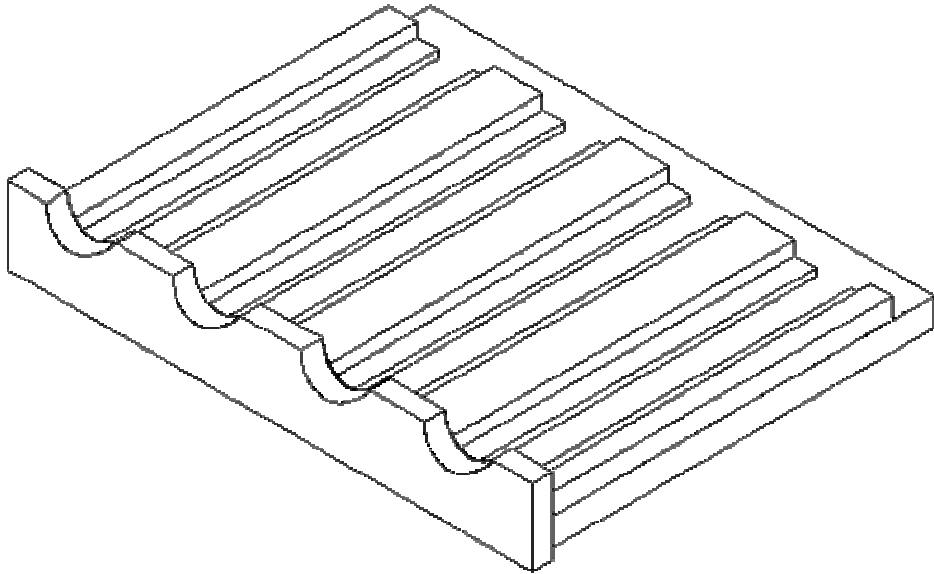
Mark off the location of the bottle dividers on the base before attaching the front to the wine rack base. The dividers must be attached after the front is attached to the base because the dividers cover up the pocket holes. Therefore you should mark the locations first. The two edge dividers are mounted flush with the base. The center one is centered and the other two are 4 1/2" from the edge of the base to the center of the dividers.

Mount the Front to Base



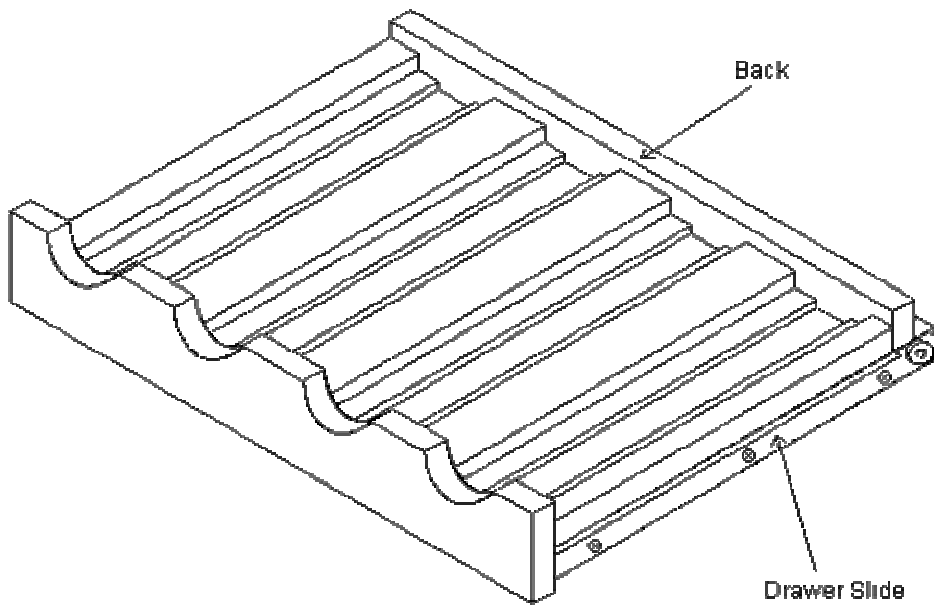
Mount the front to the base with pocket hole screws. The base and front are flush on the bottom and the base is centered between the edges of the front.

Mount the Dividers to the Base



Attach the dividers to the base with finishing nails according to the marks from Step 1

Attach the Back and Drawer Slides



Attach the back to the base with finishing nails or screws as you prefer. Attach the drawer slides as shown with the screws that were provided with the drawer slides.